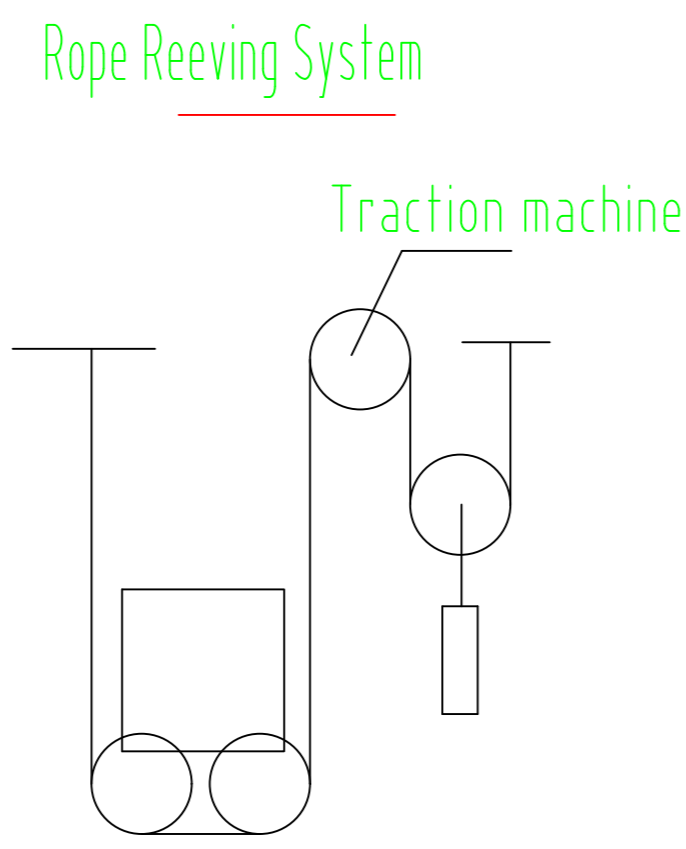
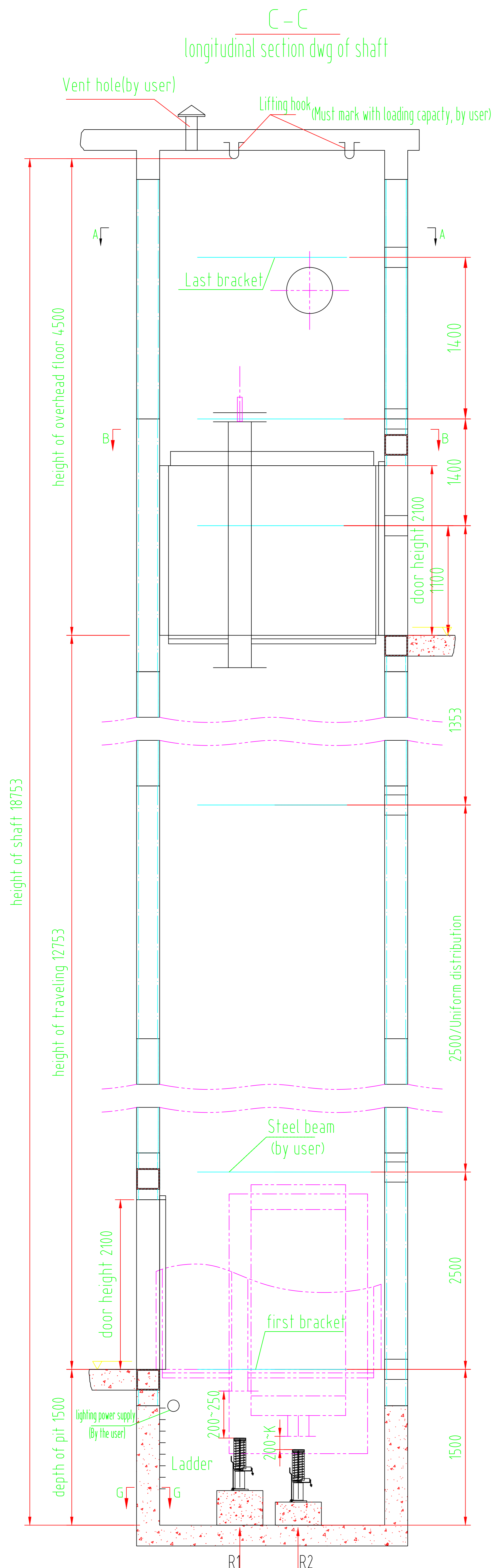
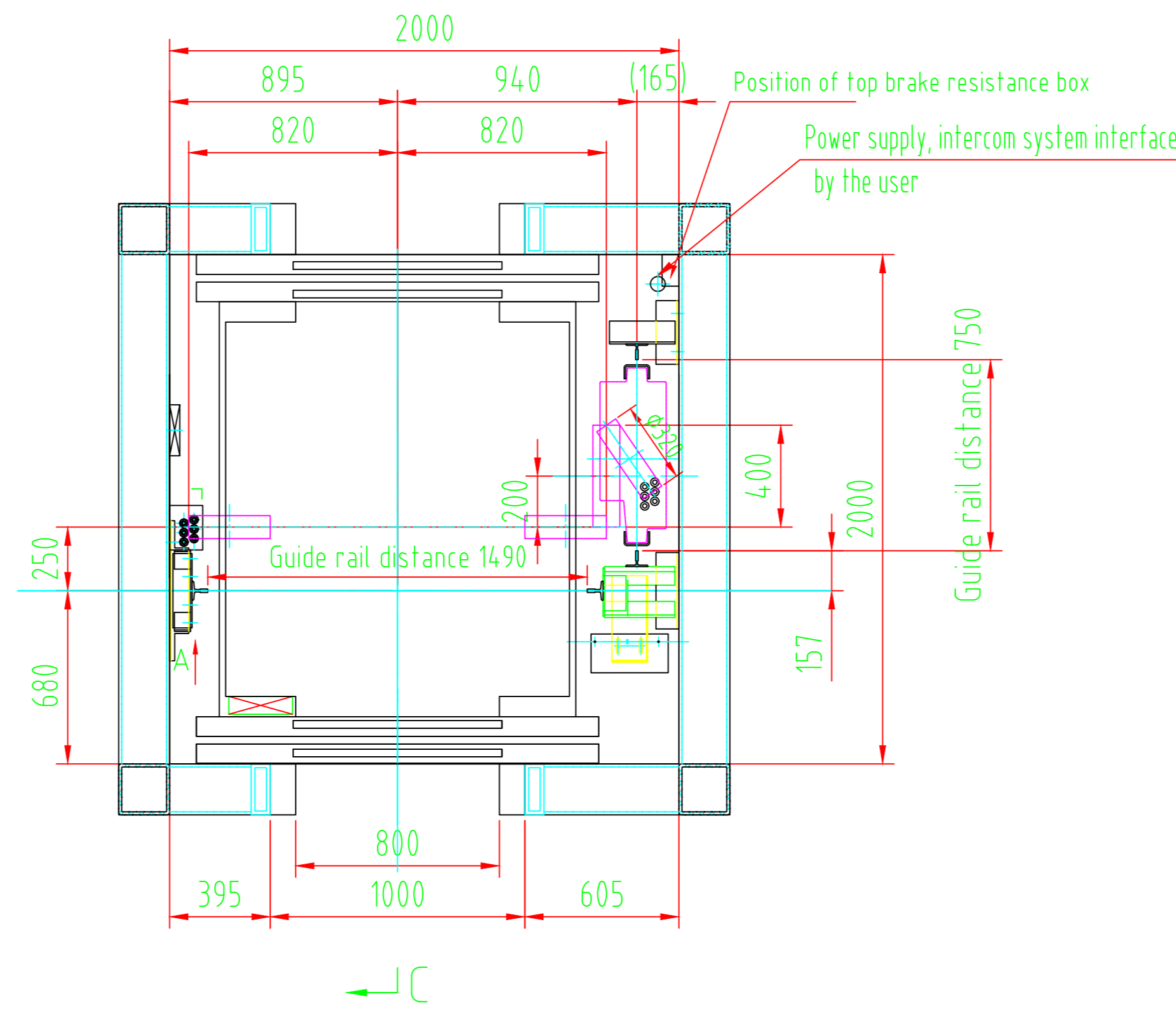


GRT181935

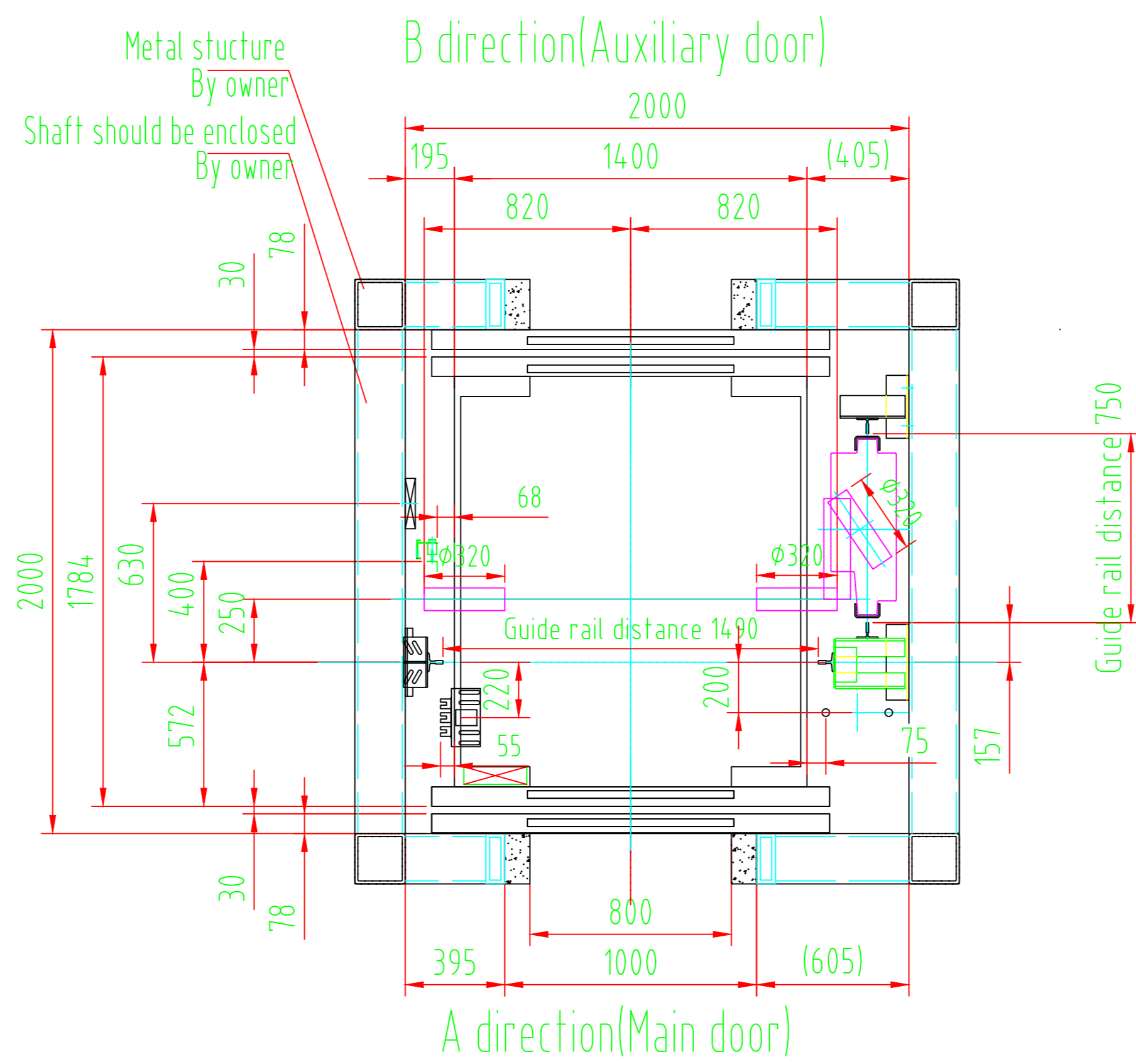
1.Shaft ventilation openings shall be equipped with waterproof measures and prevent foreign object intrusion. The total area of ventilation openings should be at least 1/100 of the shaft's cross-sectional area
 2.Shaft ventilation shall be provided by the client, with temperature maintained between 5°C and 40°C. The pit must be kept dry and free of water accumulation.



A-A Overhead drawing (Rotate by 90 degree)



B-B Shaft Plan (Rotate 90°)

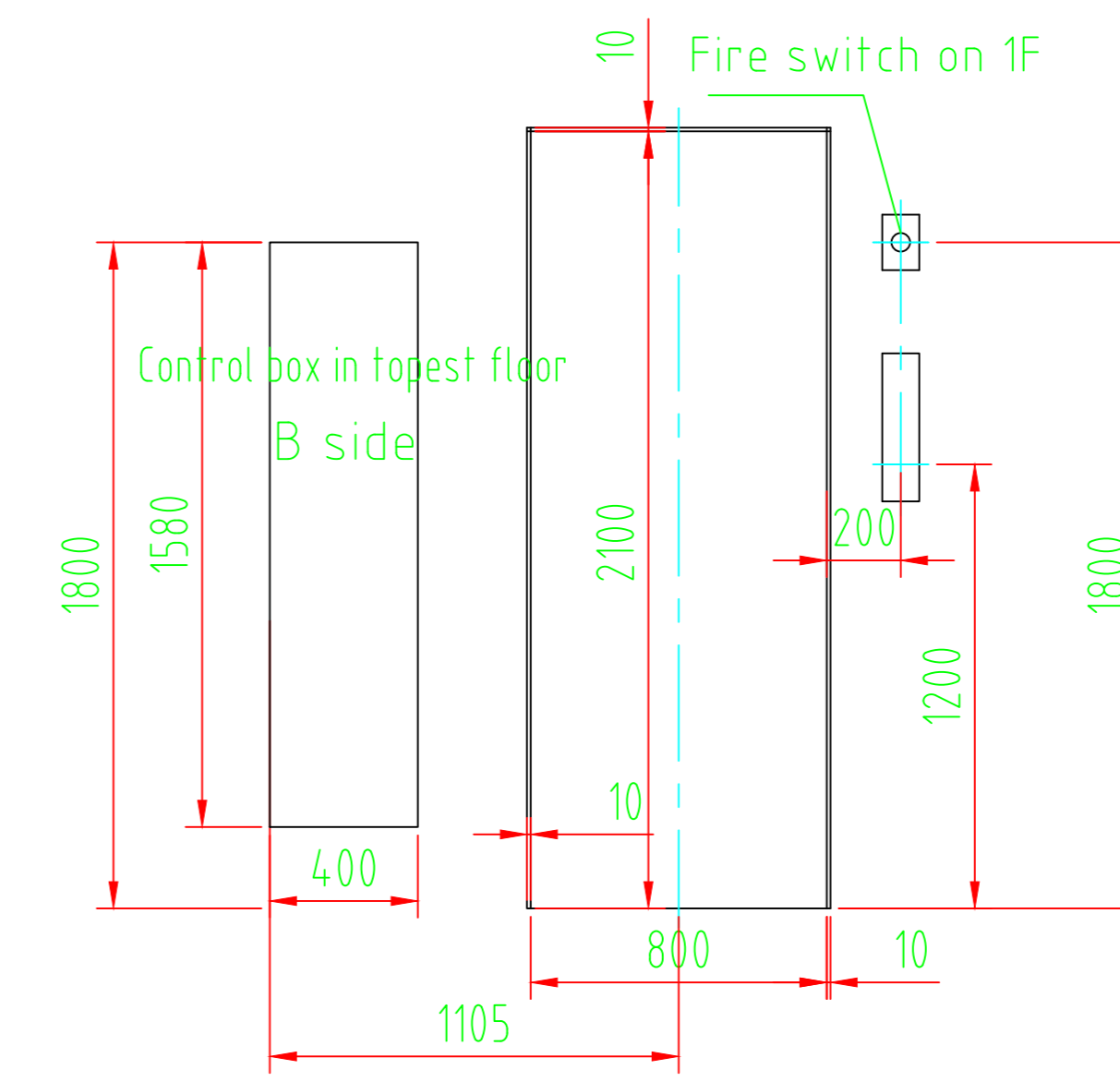


Floor	Floor Height	Main door	Auxiliary door
3	4500	NO	YES
2	4145	NO	YES
1	3613	NO	YES
G	4995	YES	NO
Pit	1500	-	-

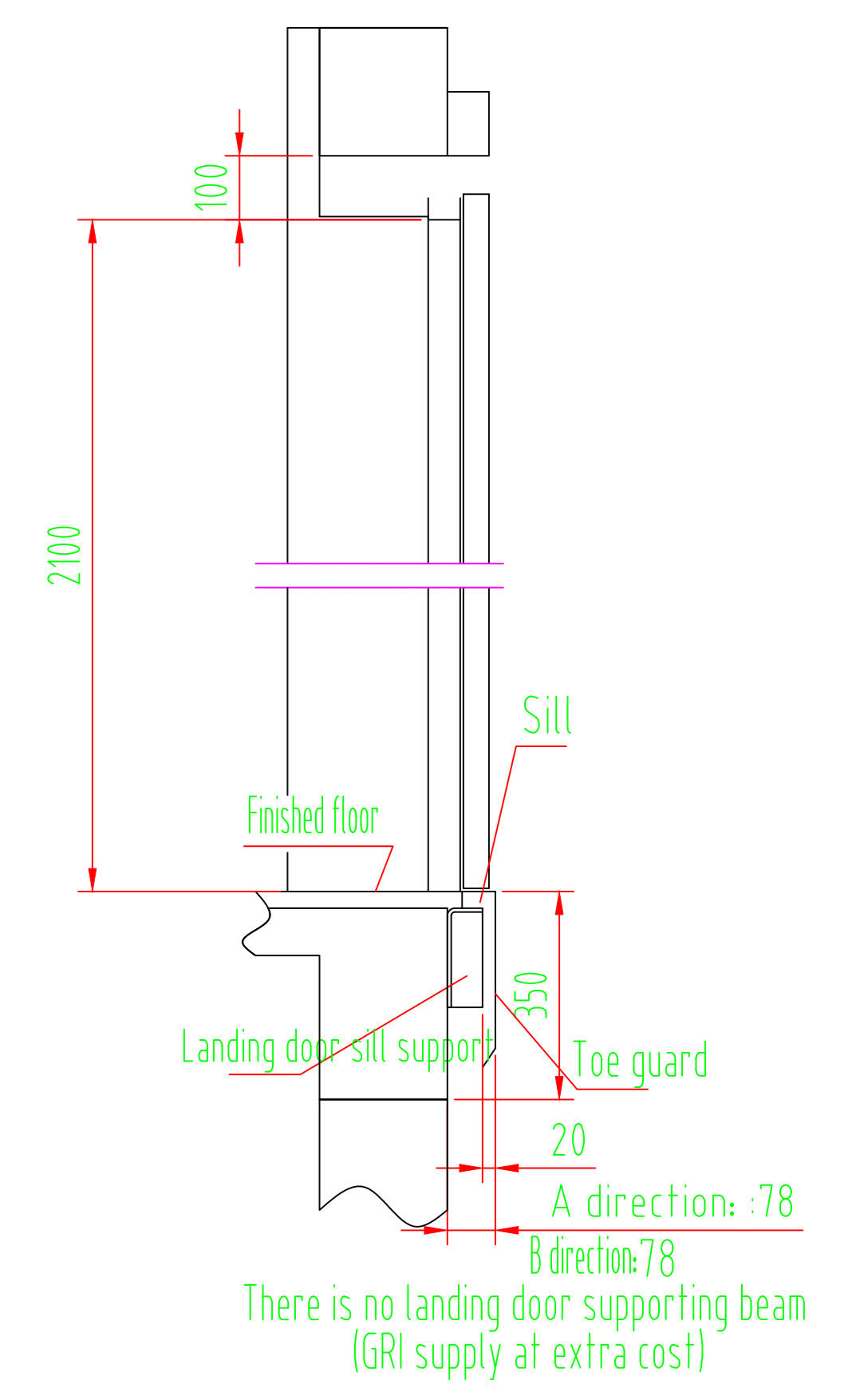
Floor information

structure dwg of landing door

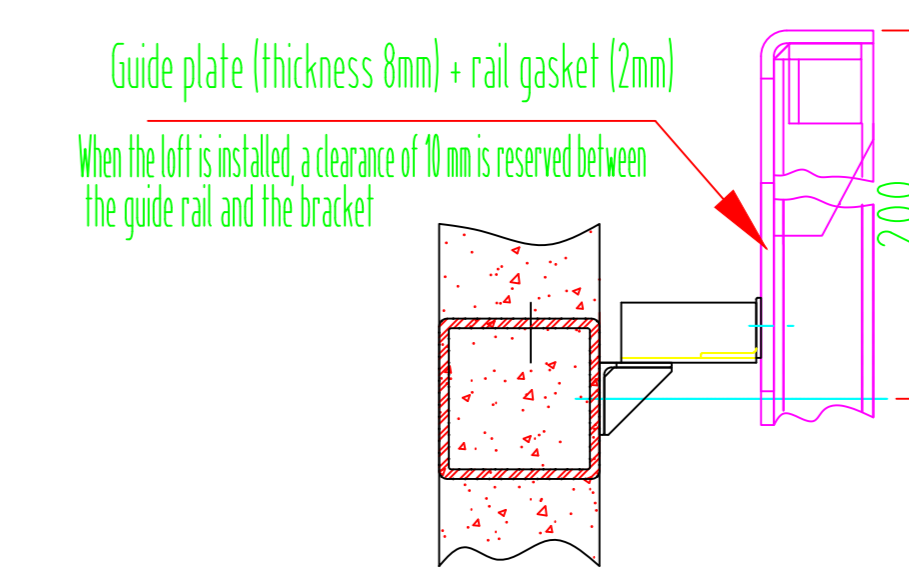
View from the landing side looking into the shaft



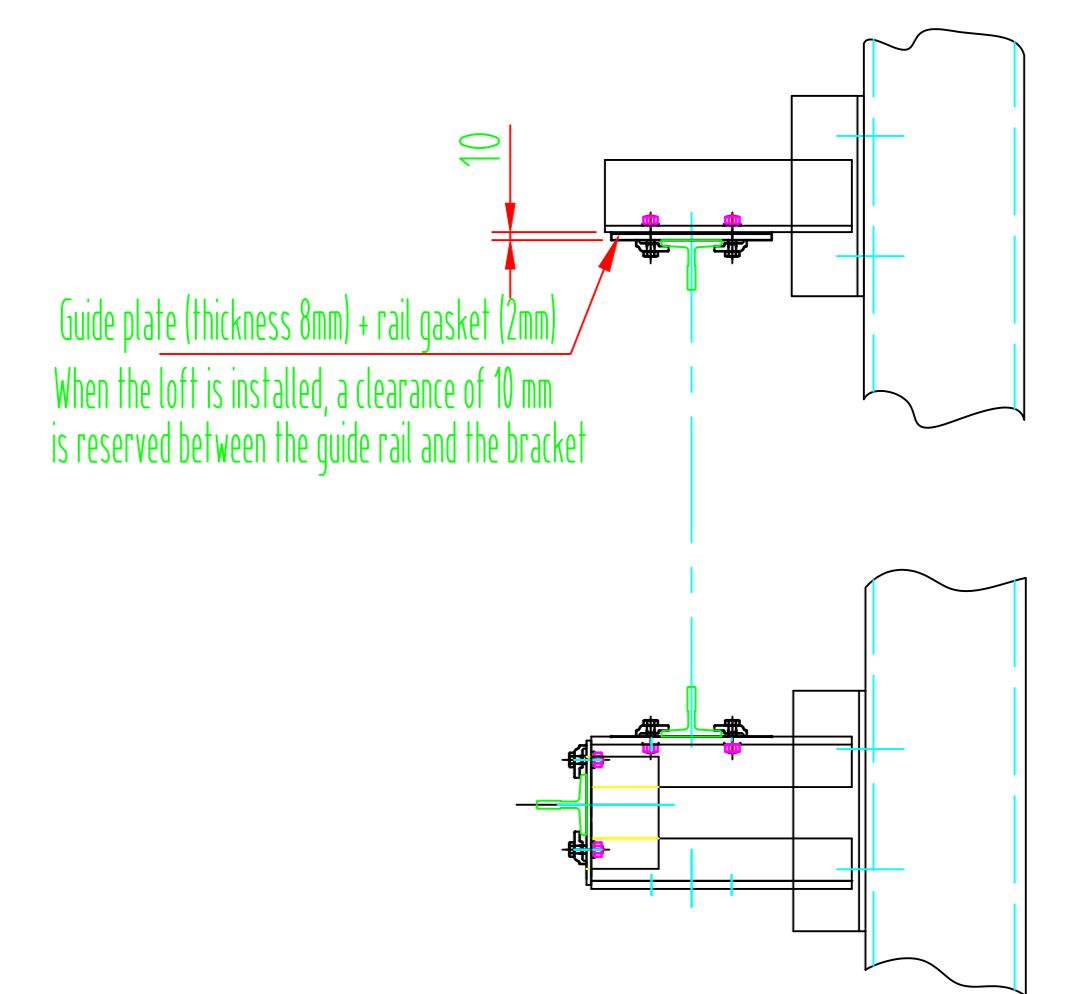
Supporting beam and door area structure



A direction (1:12.5)
 Design of Car Rail Reinforcement Board
 Only the last end of the car with the end of the track bracket



Reinforcement of heavy rails (1:12.5)
 Only the end of the file with the secondary end of the rail support



The user agrees to produce according to this dwg		Type	ESW825-C01.0	Control system	Microprocessor control VVVF
Seal of user	Signed by	Rated load	825kg	Power supply(working) 380V 50Hz 3Φ5W Power supply(lighting) 220V 50Hz	Height of shaft 18753mm Height of travelling 12753mm Overhead height 4500mm Pit depth 1500mm Service floor 4/4/4
		Rated speed	1.0m/s		
		Type of door open	CO		
		Internal size of car (WXD)	1350X1470		
		External size of car (WXD)	1400X1784		
		Door open size	800X2100		
		Shaft size (WXD)	2000X2000		
		Traction ratio	2:1		

Note1: The layout of the building of the Company is made up of the layout drawing and the civil drawings and the drawings (12822425). For details, please refer to the attached documents.

Product No.			
Entry name	THE NAMAKA II PHUKET		
Building No	DT1		
		ESW825-C01.0	GRT181935
Marks	Nos.	Doc.No.	Signed by
Designed	Jay		
Proofed			
Checked		Date	2025/12/22
		CIVIL CONSTRUCTION DRAWING FOR SHAFT OF PASSENGER ELEVATOR	Contract No. Quantity Edition
		NO. 1	1 000
			Total 2 page 1 OF 2
			GUANGZHOU GUANGRI ELEVATOR INDUSTRY CO., LTD.